

LONGi

| Utility-Scale Liquid Cooling ESS |

PotisBank-L6.25



SAFE AND RELIABLE

- Multi-stage active fire detection and suppression (NFPA 855 compliant)
- Advanced liquid cooling system delivers high thermal stability
- 3-level BMS for cell and system monitoring and protection



HIGH EFFICIENCY

- Advanced thermal management reduces auxiliary power consumption
- Extended battery lifespan enabled by high cycle life
- Supports both back-to-back and side-by-side installation
- Lower LCOE (Levelized Cost of Energy)



ECO-FRIENDLY & VERSATILE DESIGN

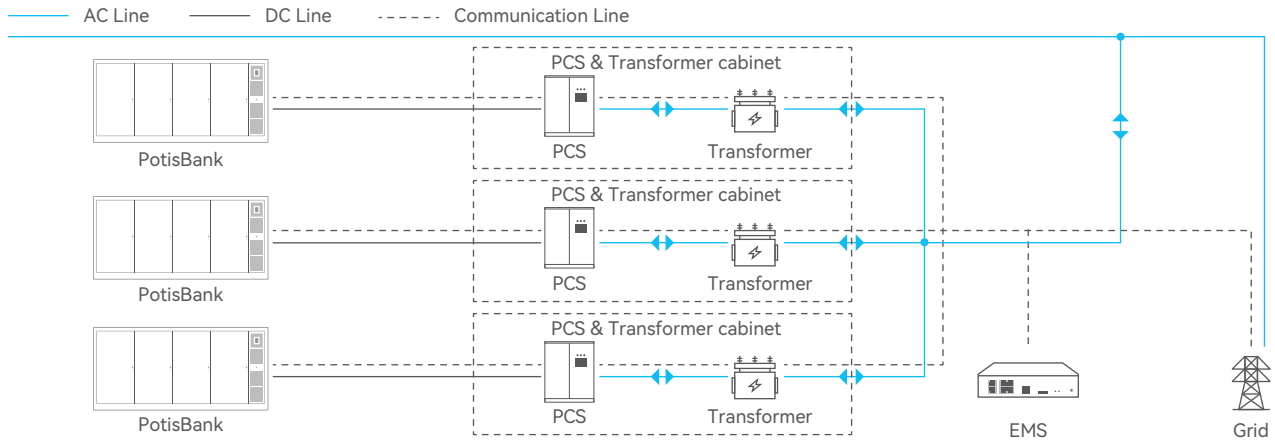
- RoHS, REACH compliant and cobalt-free cathode
- Low noise, recyclable, and eco-friendly refrigerant
- Compatible with both string and central PCS



HIGH ENERGY DENSITY

- 6.25 MWh per cabinet delivers higher energy density
- Simplified installation and reduced O&M workload
- Ideal for industrial, utility, and grid-serving applications

SYSTEM DIAGRAM



PRODUCT SPECIFICATIONS

Technical Data		PotisBank-L6.25-DC
DC Side		
Cell type		LFP
System battery configuration		416S8P
Nominal capacity		6251kWh
Nominal voltage		1331.2V
Operating voltage range		1164.8V ~ 1500V
Nominal charge/discharge rate		0.5P
Round trip efficiency		≥93%
General Parameter		
Dimensions (W×D×H)		6058×2438×2896mm
Weight		≈45t
System ingress protection rating		IP55
Anti-corrosion degree		C4, C5 (optional)
Operation humidity range		0% ~ 95% RH
Operation temperature range		-30 ~ 55°C
Max.operating altitude		2000m
Temperature control method		Intelligent Liquid Cooling
Noise		≤75 dB@1m
Fire suppression system		Smoke and heat detectors, FACP, Sprinklers, Fire alarm system, Flammable gas detectors, NFPA 69-compliant ventilation system, Aerosol, NFPA 68-compliant vent panel (optional)
Communication interface		Ethernet / RS485 / CAN
Communication protocol		Modbus TCP, Modbus RTU, CAN2.0
Standard Compliance		
Standard		IEC 61000, IEC 62477, IEC 60730, IEC 62619, IEC 63056, IEC 60529, IEC 62933, UN 38.3, UN 3536